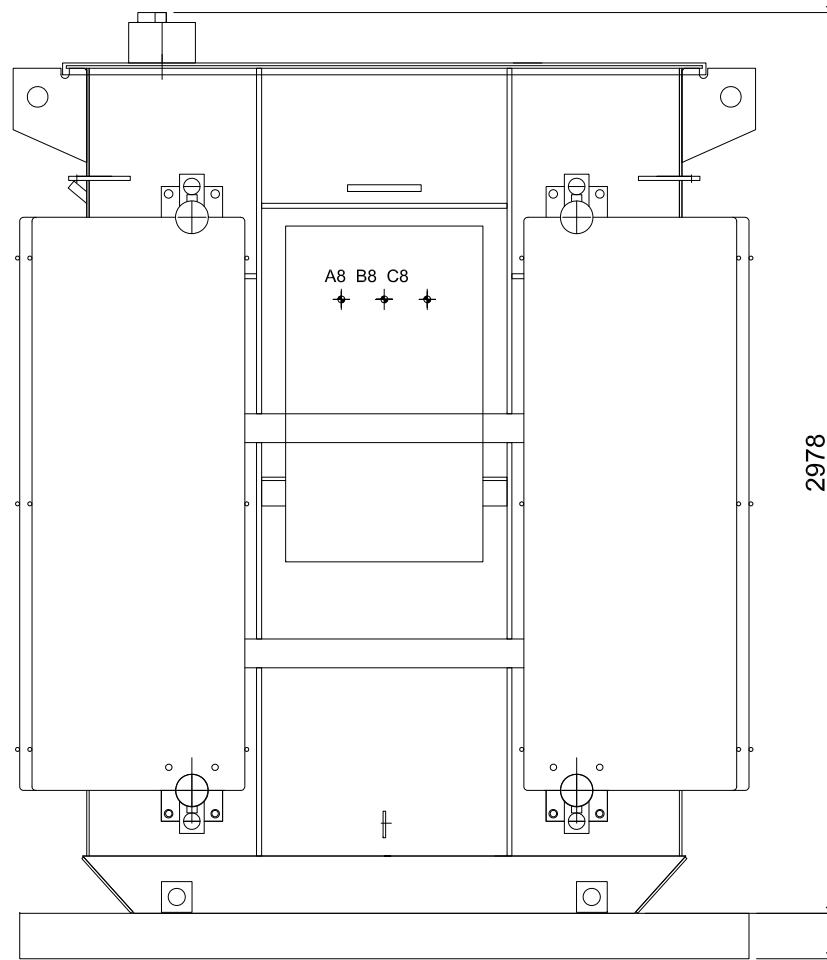
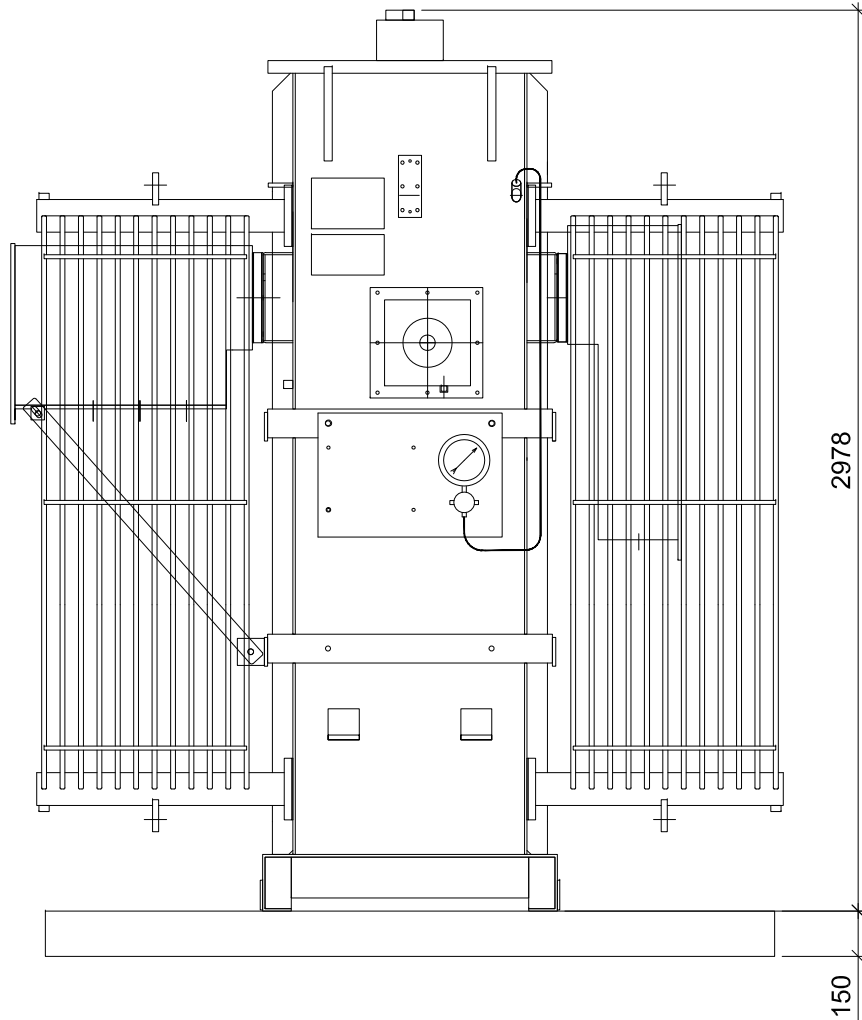


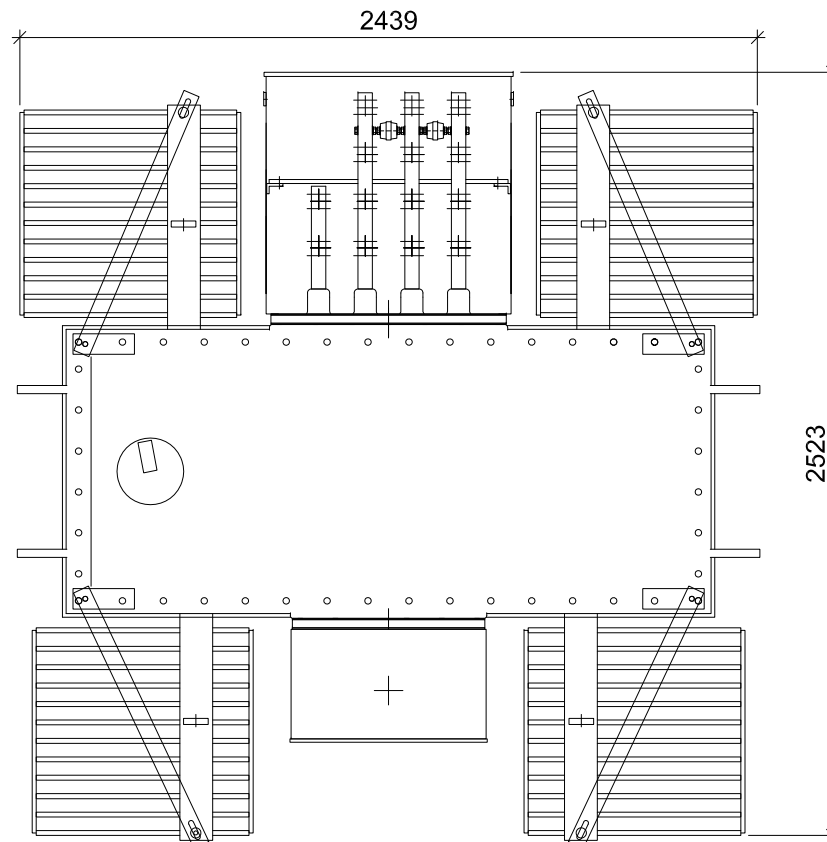
ELEVATION



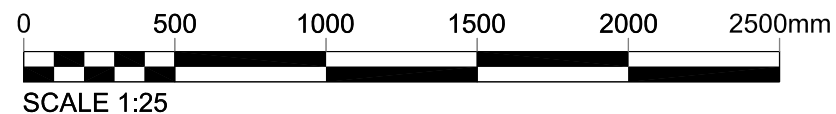
ELEVATION



ELEVATION



PLAN VIEW



This drawing is the copyright of ONE PLANET Limited and must not be reproduced in whole or in part or used in any manner without their written permission.
Scaled dimensions must not be taken from this drawing. All dimensions are to be confirmed on site prior to commencement of work.

Revisions:

Revision	Date	Revision Notes	Drawn	Inspected
01	19.03.24	First Issue	EM	JW

LEGEND:

Project:

Land Adjacent to the A614,
Workshop, S80 3PA

Consultant:



ONE PLANET

©2020-2022 by One Planet Developments Limited
Bridlesgate Farm, Wimborne, Dorset BH21 3RS
Tel: +44 (0) 12281292

Drawn by:



CADmando Design & Drafting Solutions Ltd
The Long Barn, The Courtyard, Severn Drive, Tewkesbury
Business Park, GL20 9CD
Tel: +44 (0) 1684 850019
Mob: +44 (0) 7814436910

Status:

PLANNING

Drawing Title:

Standard Drawing:
MV Transformer

Drawn: EM	Checked: JW	First Issued: 19.03.2024
--------------	----------------	-----------------------------

Project Code: OPL011- SD-10	Drawing Number:
--------------------------------	-----------------

Sheet Size: A3	Scale: 1:25	Revision: 01
-------------------	----------------	-----------------