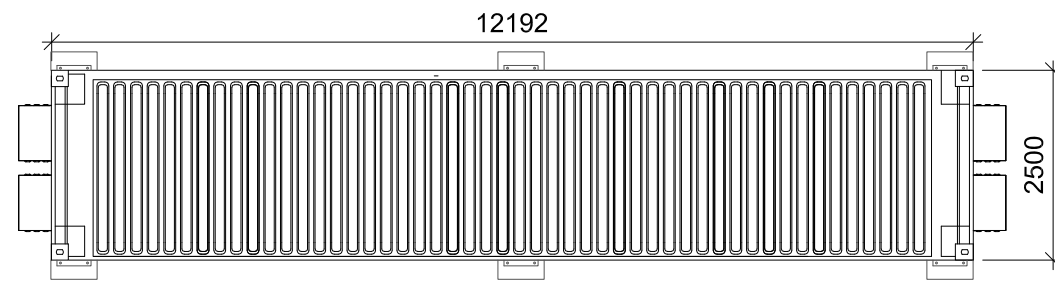


This drawing is the copyright of ONE PLANET DEVELOPMENTS LIMITED and must not be reproduced in whole or in part or used in any manner without their written permission.
 Scaled dimensions must not be taken from this drawing. All dimensions are to be confirmed on site prior to commencement of work.

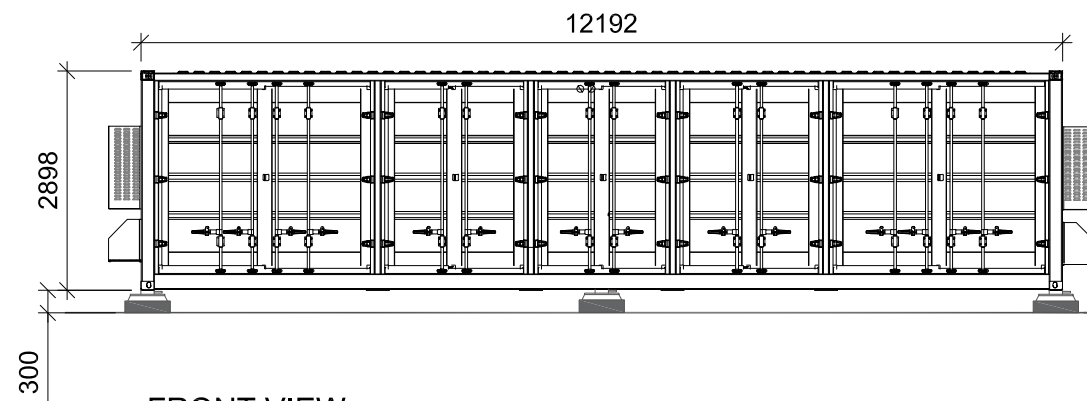
Revisions:

Revision	Date	Revision Notes	Drawn	Inspected
01	06.03.24	First Issue	EM	JW

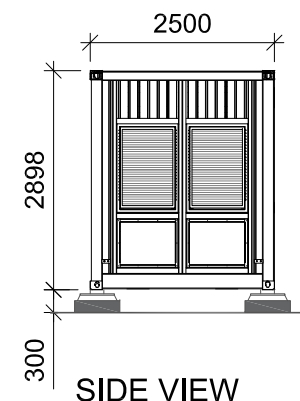
LEGEND:



PLAN VIEW



FRONT VIEW



SIDE VIEW



Project:

**Land Adjacent to the A614,
Workshop, S80 3PA**

Consultant:



ONE PLANET

©2020-2022 by One Planet Developments Limited
 Biddlesgate Farm, Wimborne, Dorset BH21 5RS

Drawn by:



CADmando Design & Draughting Solutions Ltd
 The Long Barn, The Courtyard, Severn Drive, Tewkesbury
 Business Park, GL20 1SD
 Tel: +44 (0) 1684 856919
 Mob: +44 (0) 7814438910

Status:

PLANNING

Drawing Title:

**Standard Drawing:
40ft Battery Container (Side Mounted HVAC)**

Drawn: EM	Checked: JW	First Issued: 06.03.2024
--------------	----------------	-----------------------------

Project Code: Drawing Number:
OPL011- SD-08

Sheet Size: A3	Scale: 1:100	Revision: 01
-------------------	-----------------	-----------------