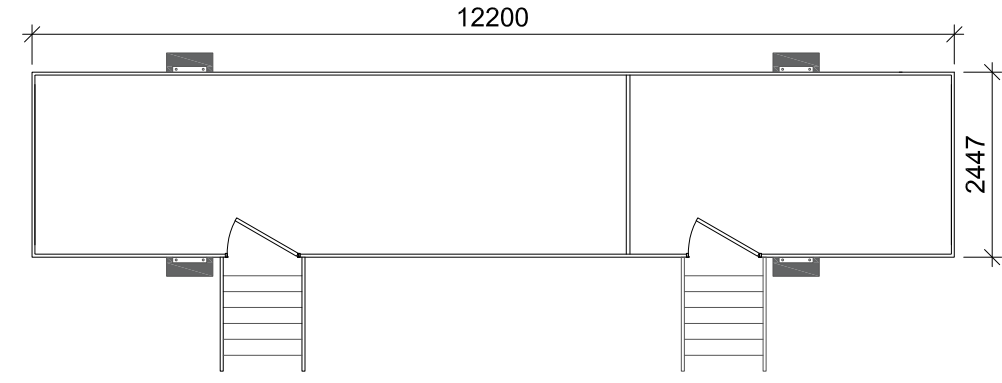


This drawing is the copyright of ONE PLANET DEVELOPMENTS LIMITED and must not be reproduced in whole or in part or used in any manner without their written permission.
 Scaled dimensions must not be taken from this drawing. All dimensions are to be confirmed on site prior to commencement of work.

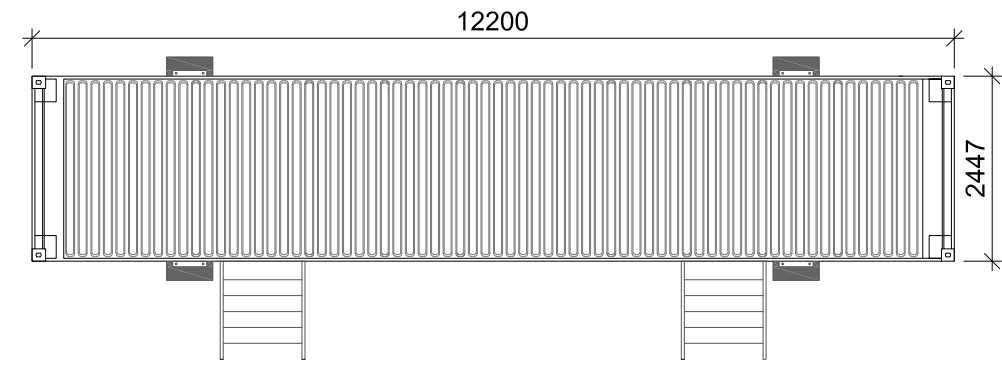
Revisions:

Revision	Date	Revision Notes	Drawn	Inspected
01	04.03.24	First Issue	EM	JW

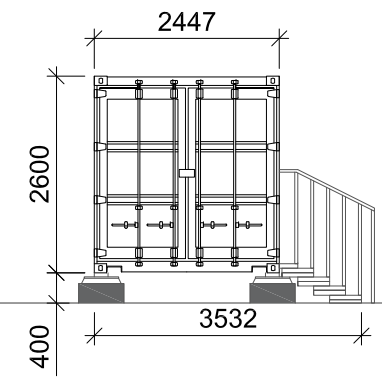
LEGEND:



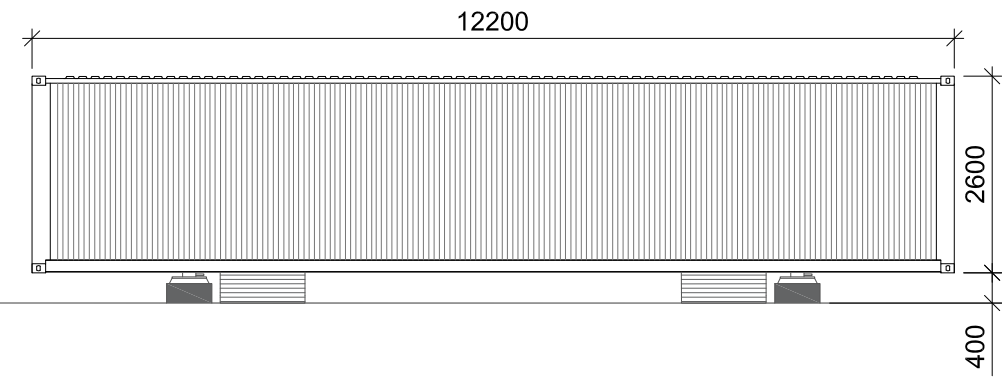
INTERNAL VIEW



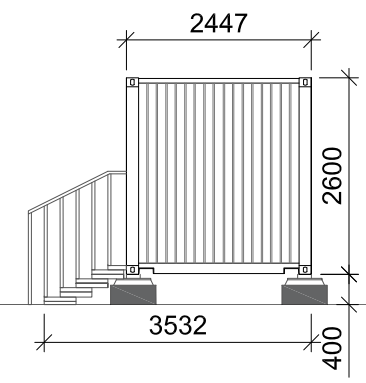
ROOF VIEW



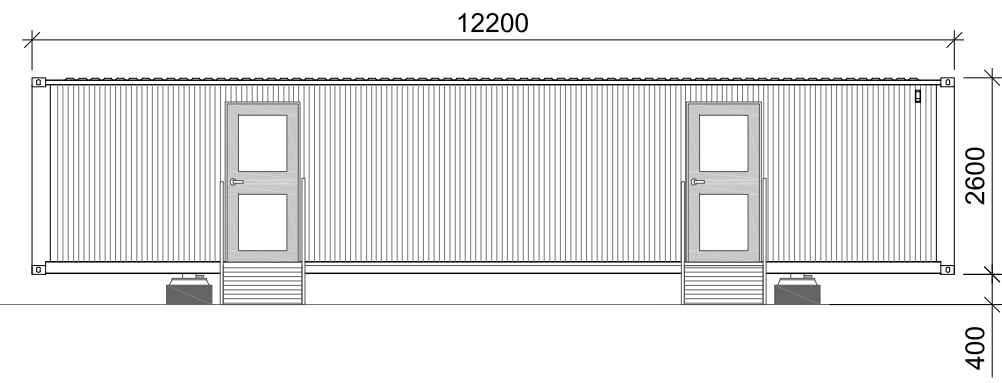
SIDE VIEW (LEFT)



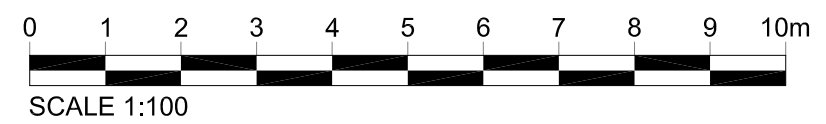
REAR VIEW



SIDE VIEW (RIGHT)



FRONT VIEW



Project:
**Land Adjacent to the A614,
 Worksop, S80 3PA**



©2020-2022 by One Planet Developments Limited
 Bloddesgate Farm, Wimsome, Donest BH21 5RS
 Tel: +44 (0) 12031392
 Mob: +44 (0) xxxxxxxxxx



Status:
PLANNING

Drawing Title:
**Standard Drawing:
 40ft Storage Container**

Drawn: EM	Checked: JW	First Issued: 04.03.2024
Project Code: OPL011- SD-02		Drawing Number:
Sheet Size: A3	Scale: 1:100	Revision: 01